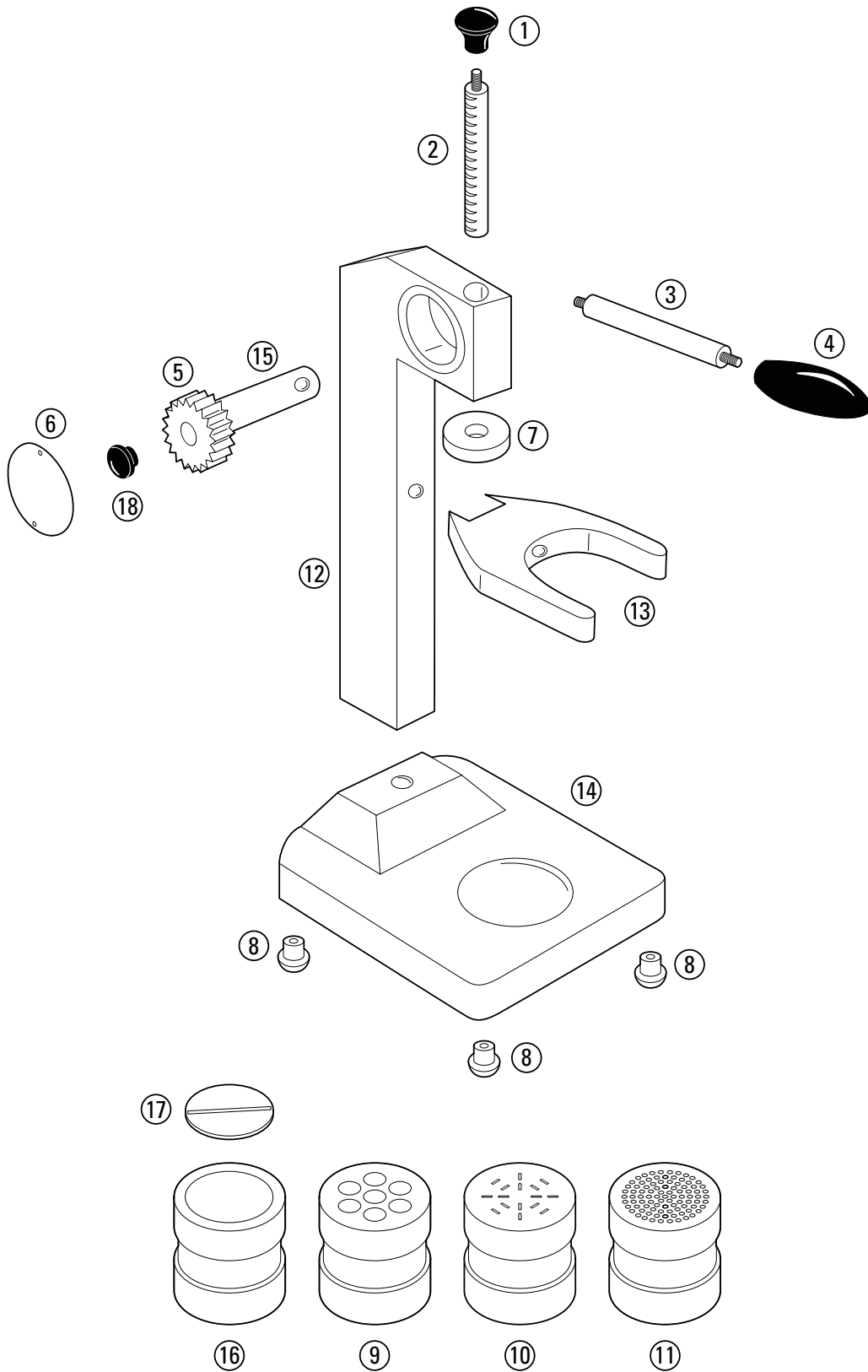


T76



T76

Drawing Ref	Code	Description
1	160101	TOP KNOB
2	130104	SPROCKET RAIL
3	180130	LEVER FITTING
4	160110	LEVER FITTING
5	180134	SPROCKET
6	180105	SPROCKET COVER
7	160026	PRESS TIP
8	160098	RUBBER FOOTING
9	170223	ASPARGUS SHAPE CUP
10	170221	TAGLIATELLE SHAPE CUP
11	170225	SPAGHETTI SHAPE CUP
12	170181	EXTENTION SUPPORT
13	170183	CUP HOLDER
14	170185	BODY BASE
15	180133	SHAFT
16	170227	LASAGNE SHAPE CUP
17	160104	LASAGNE INSERT
18	160141	STOPPER