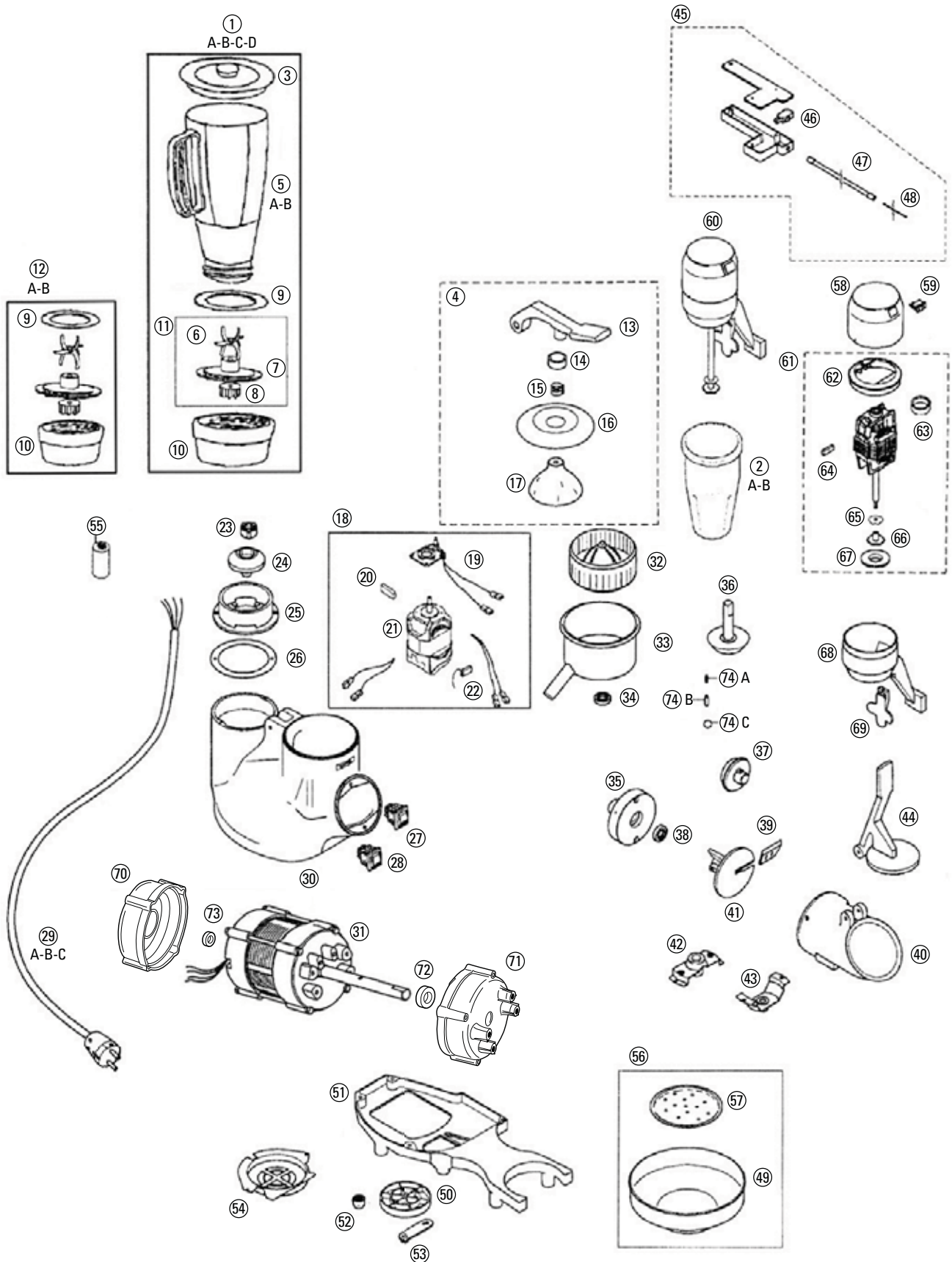


T71



T71

Drawing Ref	Code	Description
1A	RFRUUNI01	SS CUP + CONE KIT
1B	RFRUUNI02	SS CUP + BLADE KIT
1C	RFRUUNI03	POLYCARBONATE CUP + CONE KIT
1D	RFRUUNI04	POLYCARBONATE CUP + BLADE KIT
2A	160041	POLYCARBONATE CUP
2B	180048	SS CUP
3	160033	POLYCARBONATE CUP LID
4	RGRT65001	LEVER SET KIT
5A	160032	POLYCARBONATE CUP
5B	180053	SS CUP
6	230017	BLADES
7	160034	SHAFT SUPPORT
8	170079	SPROCKET
9	120017	CUP SEAL
10	160031	CUP SUPPORT
11	RFRUUNI05	CUP SUPPORT KIT
12A	RFRUUNI12	BLENDER CUP CONE KIT
12B	RFRUUNI13	BLENDER CUP BLADE KIT
13	170074	LEVER
14	130109	SPRING COVER
15	230035	COVER SUPPORT SPRING
16	180067	SS COVER
17	180145	CITRUS CONE
18	RFRUUNI11	230V MOTOR KIT
19	RFRUUNI10	BLENDER MOTOR SUPPORT
20	RFRUUNI16	BLENDER MOTOR BRUSH
21	270001	230V MOTOR
22	150072	CAPACITOR 0.1 MF
23	160040	RUBBER COUPLING
24	RFRUUNI09	JOINT
25	170027	CUP SUPPORT
26	160030	SEAL
27	210018	ON OFF SWITCH WITH CAP
28	210019	ON OFF SWITCH WITH CAP
29A	150073	230V CABLE EU PLUG
29B	150077	230V CABLE UK PLUG
29C	150078	230V CABLE AUSTRALIAN PLUG
30	170145	BODY
31	270010	MOTOR KIT 230V
32	180069	CITRUS CONE
33	180068	BEAKER + SPOUT
34	120011	SEAL
35	170128	MAIN DRIVE FLANGE
36	170141	SHAFT
37	170139	CLUTCH SET
38	120011	SEAL
39	230022	BLADE
40	170122	HOPPER

41	170129	ROTATING BLADE SUPPORT
42	180022	UPPER SUPPORT
43	180021	LOWER SUPPORT
44	RTRT60001	LEVER KIT
45	RTRT60002	MICRO SWITCH SET
46	210029	MICRO SWITCH
47	150058	CABLE GLIDE
48	150059	SS SWITCH CABLE
49	180065	ICE TRAY
50	160056	CUP HOLDER
51	170164	BODY
52	160096	RUBBER FOOTING
53	130114	SUPPORT
54	160082	BOTTOM COVER
55	150070	CAPACITOR 8 MF
56	RTRT60006	ICE TRY SET
57	180040	DRIP PAN
58	170119	MOTOR COVER
59	150008	ON OFF SWITCH
60	RGRT71001	MIXER SUPPORT SET
61	RFRAUNI01	230V MIXER MOTOR KIT
62	160047	SEAL KIT 3 PCS
63	160047	SEAL KIT 3 PCS
64	RFRUUNI15	MOTOR BRUSH
65	180047	SS BUTTERFLY
66	160148	MIXER
67	160047	SEAL KIT 3 PCS
68	170148	MIXER SUPPORT SET
69	130117	CUP SUPPORT
70	160002	LOWER COVER
71	160003	UPPER COVER
72	260006	BEARING 6203
73	260005	BEARING 6202
74A	230037	SHAFT SPRING
74B	130059	PROGRESS PIVOT
74C	130106	BALL BEARING