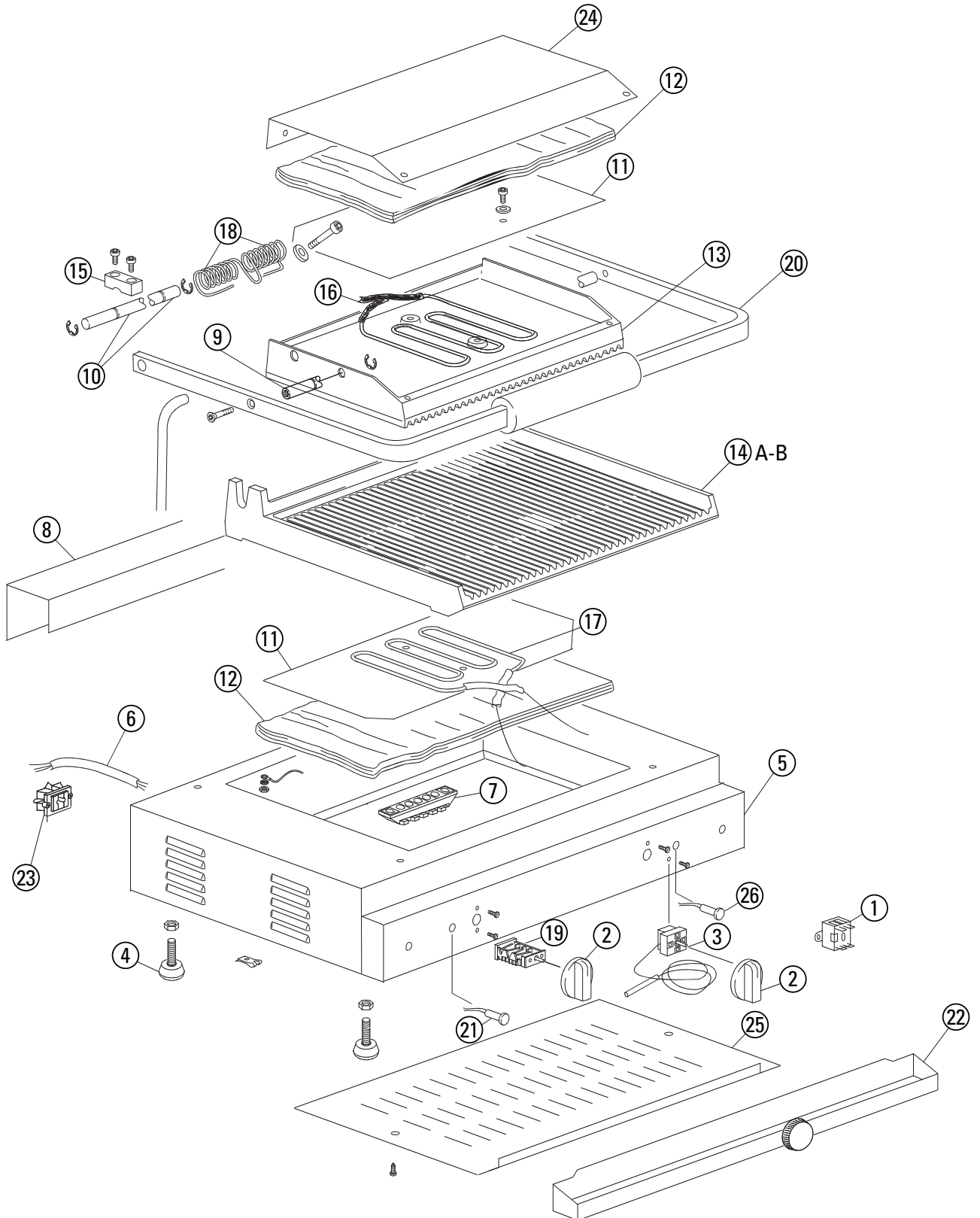


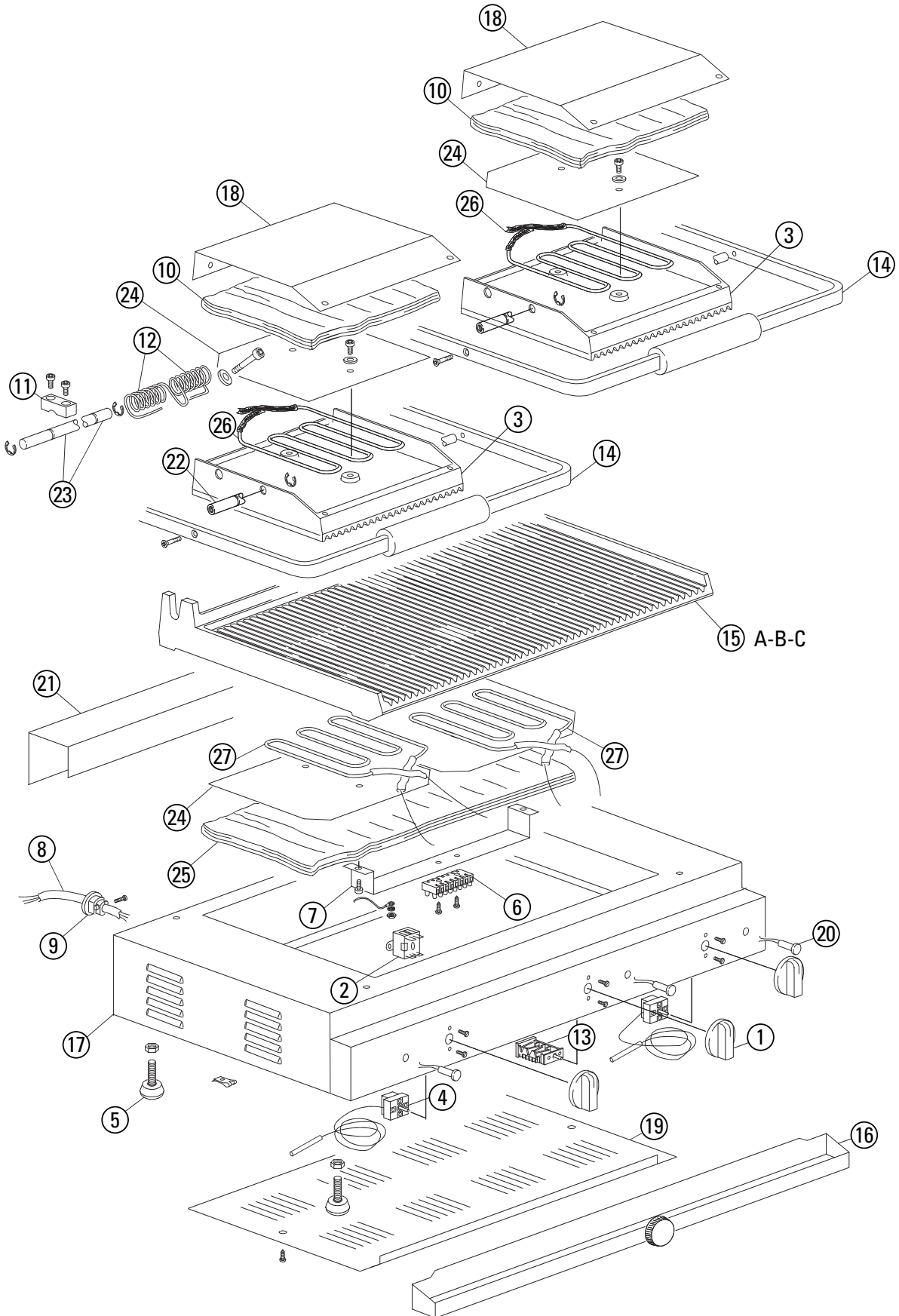
T11-1



T11-1

Drawing Ref	Code	Description
1	L6011	SAFETY THERMOSTAT
2	L8029	KNOB
3	L9010	COOKING THERMOSTAT
4	L9024	FOOTING
5	L9501	EXTERNAL BODY FRAME
6	L9540	POWER CABLE
7	L500551	CABLE TERMINAL
8	L9542	BACK COVER
9	L9546	CENTRE ROD
10	L9547	HINGE ROD
11	L9548	COVER
12	L9549	INSULATION FOIL
13	L9550	UPPER WAVED PLATE
14A	L9551	LOWER WAVED PLATE
14B	L9553	LOWER SMOOTH PLATE
15	L9560	BRASS BRACKET
16	L9561	UPPER HEAT ELEMENT 1000W
17	L9562	LOWER HEAT ELEMENT 1200W
18	L9563	SPRING
19	L9564	ON - OFF SWITCH
20	L9565	HANDLE
21	L10711/B	LED LIGHT
22	L9603	DRIP TRAY
23	L10565/A	CABLE HOLDER
24	L9605	TOP COVER
25	L9606	BOTTOM COVER

T11-2



T11-2

Drawing Ref	Code	Description
1	L8029	KNOB
2	L6011	SAFETY THERMOSTAT
3	L9002	UPPER PLATE
4	L9010	COOKING THERMOSTAT
5	L9024	FOOTING
6	L9031	CABLE TERMINAL
7	L9032	COMPONANT HOLDER
8	L9034	POWER CABLE
9	L9035	CABLE GLAND
10	L9511	UPPER INSULATION FOIL
11	L9560	BRASS BRACKET
12	L9563	SPRING
13	L9564	ON - OFF SWITCH
14	L9566	HANDLE
15A	L9700	LOWER PLATE - SMOOTH OR WAVED
15B	L9701	LOWER PLATE - WAVED
15C	L9702	LOWER PLATE - SMOOTH
16	L9703	DRIP TRAY
17	L9704	EXTERNAL BODY FRAME
18	L9705	TOP PROTECTION COVER
19	L9706	BOTTOM COVER
20	L10711/B	LED LIGHT
21	L9708	BACK COVER
22	L9711	CENTRE ROD
23	L9712	HINGE ROD
24	L9714	PROTECTION COVER
25	L9715	LOWER INSULATION FOIL
26	L9716	UPPER HEAT ELEMENT 1000W
27	L9717	LOWER HEAT ELEMENT 1200W