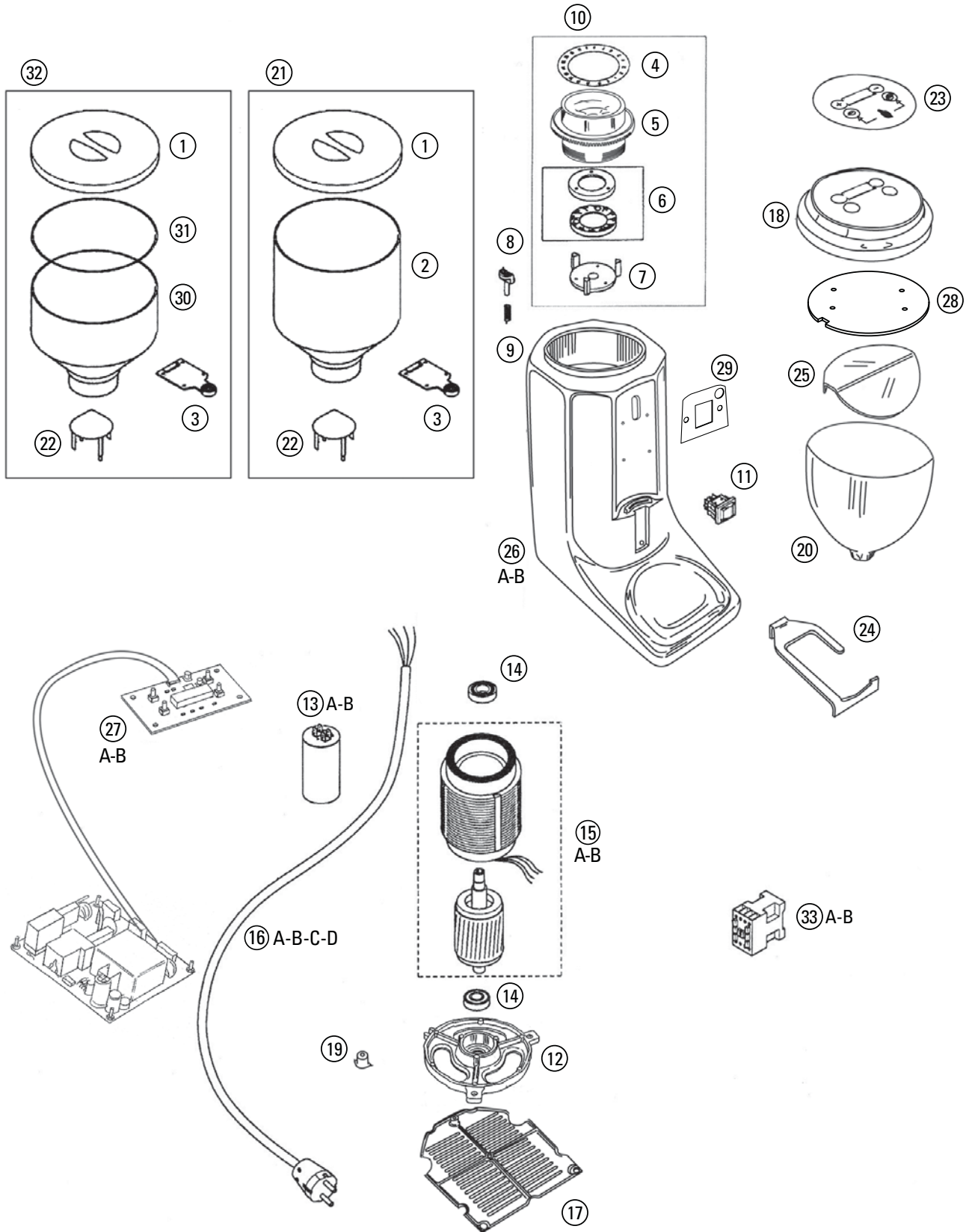


# M80/E



**M80/E**

<b>Drawing Ref</b>	<b>Code</b>	<b>Description</b>
<b>1</b>	160149	HOPPER LID
<b>2</b>	160008	HOPPER
<b>3</b>	160063	HOPPER SHUTTER
<b>4</b>	240022	GRIND THICKNESS LABEL
<b>5</b>	170195	RING NUT
<b>6</b>	260001	BLADE SET 63mm
<b>7</b>	170090	ROTATING BLADE HOLDER
<b>8</b>	160062	RING NUT STOPPER
<b>9</b>	230013	STOPPER SPRING
<b>10</b>	RMT800005	FULL SET ROTATING BLADE HOLDER
<b>11</b>	210018	ON OFF SWITCH WITH CAP
<b>12</b>	170282	MOTOR BOTTOM COVER
<b>13A</b>	150064	CAPACITOR 12.5 MF 230V
<b>13B</b>	150069	CAPACITOR 25 MF 110V
<b>14</b>	260005	BEARING 6202
<b>15A</b>	270003	M80 230V MOTOR
<b>15B</b>	270004	M80 110V MOTOR
<b>16A</b>	150073	STANDARD EU CABLE 230V +PLUG
<b>16B</b>	150076	110V / 120V CABLE US Plug
<b>16C</b>	150077	230V CABLE UK PLUG
<b>16D</b>	150078	230V CABLE AUSTRALIAN PLUG
<b>17</b>	160200	BOTTOM COVER
<b>18</b>	180464	SS CONE LID
<b>19</b>	160098	RUBBER FOOTING
<b>20</b>	180453	SS CONE
<b>21</b>	RMT800015	HOPPER FULL SET
<b>22</b>	160067	HOPPER CONE
<b>23</b>	240020	DISPLAY LABEL
<b>24</b>	180481	COFFEE FILTER HOLDER
<b>25</b>	180490	SS SAFETY COVER
<b>26A</b>	170266	M80 BLACK GRAPHITE BODY
<b>26B</b>	170270	M80 POLISHED BODY
<b>27A</b>	130140	DISPLAY + ELEC CARD 230V
<b>27B</b>	130145	DISPLAY + ELEC CARD 110V
<b>28</b>	160205	SS CONE COVER SEAL
<b>29</b>	120030	GASKET
<b>30</b>	160084	MINI HOPPER
<b>31</b>	160029	SEAL FOR MINI HOPPER
<b>32</b>	RMM800004	FULL SET MINI HOPPER
<b>33A</b>	210035	CONTACTOR 230V
<b>33B</b>	210034	CONTACTOR 220V 3 PHASE