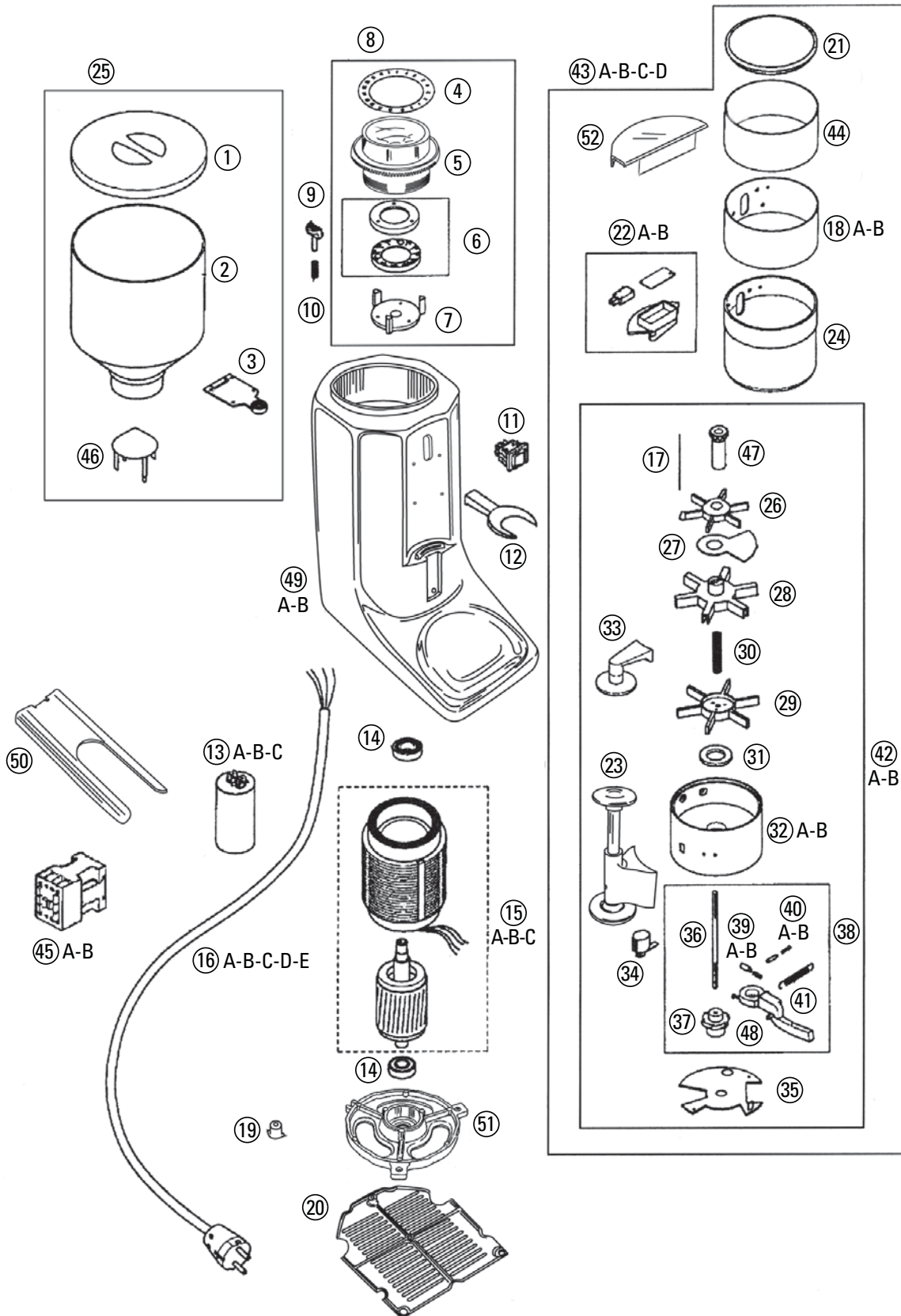


# M80

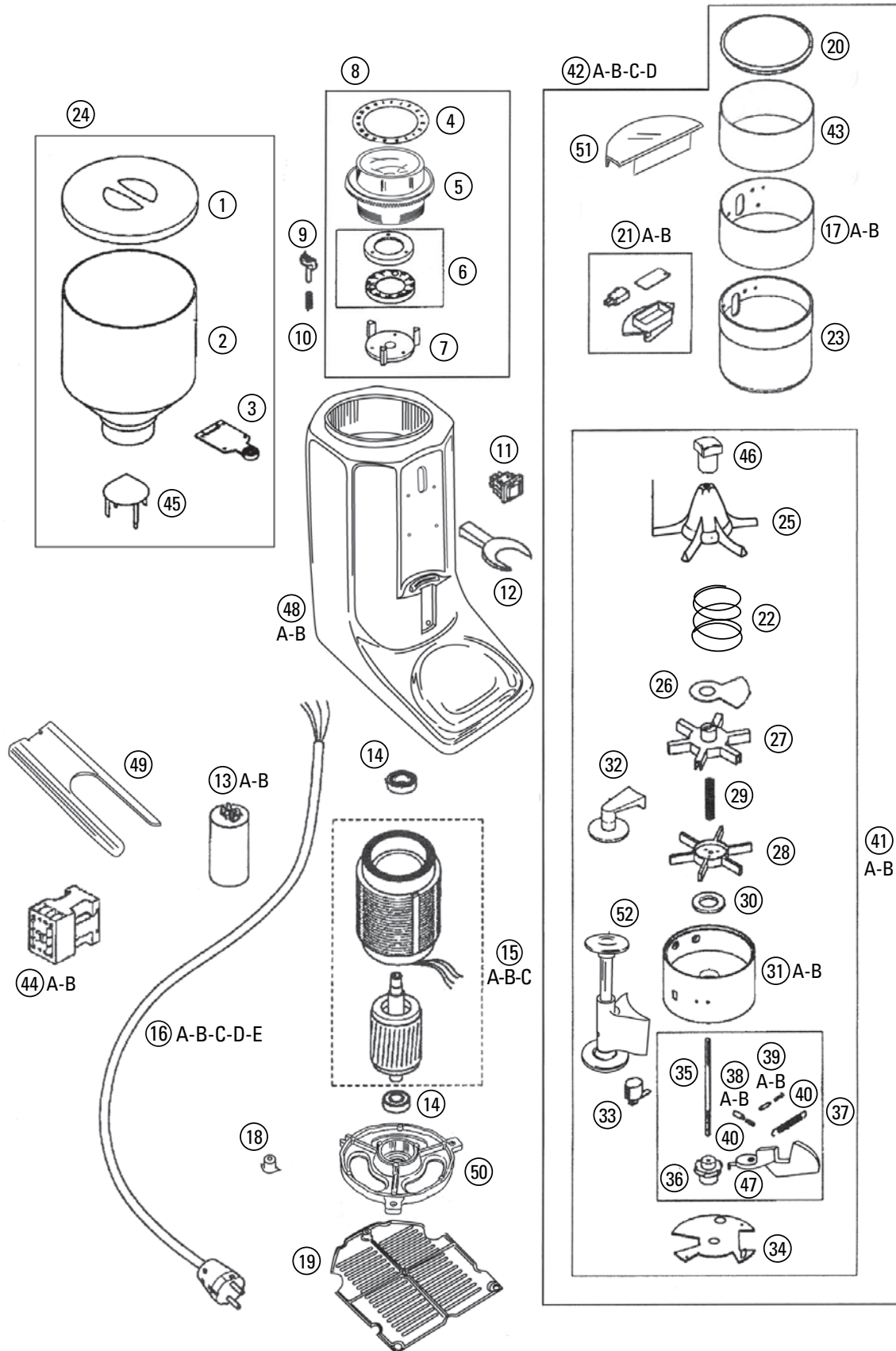


## M80

Drawing Ref	Code	Description
1	160149	HOPPER LID
2	160080	HOPPER M80
3	160063	HOPPER SHUTTER
4	240023	GRIND THICKNESS LABEL
5	170195	RING NUT
6	260001	BLADE SET 63 mm
7	170090	ROTATING BLADE HOLDER
8	RMT800021	FULL SET ROTATING BLADE HOLDER
9	160062	RING NUT STOPPER
10	230013	STOPPER SPRING
11	210018	ON OFF SWITCH WITH CAP
12	170044	COFFEE FILTER SUPPORT
13A	150064	CAPACITOR 230V 12.5 MF
13B	150069	CAPACITOR 25 MF 110V
13C	150065	CAPACITOR 25 MF 110V ETL
14	260005	BEARING 6202
15A	270003	M80 230V MOTOR
15B	270006	MOTOR M80 380V
15C	270004	MOTOR M80 110V
16A	150073	STANDARD EU CABLE 230V +PLUG
16B	150074	3 PHASE CABLE 220V / 380V No plug
16C	150076	110V - 120V CABLE US Plug
16D	150077	230V CABLE UK PLUG
16E	150078	230V CABLE AUSTRALIAN PLUG
17	130091	MIXING ROD
18A	170174	DOSER UPPER RING
18B	170176	DOSER UPPER RING No hole
19	160098	RUBBER FOOTING
20	160200	BOTTOM COVER
21	160064	DOSER LID
22A	RMT800002	MICRO SWITCH SET
22B	RMT800004	MICRO SWITCH SET ETL
23	RMT800023	TELE TAMPER SET
24	160083	SIGHT GLASS-OLD TYPE
25	RMT800015	HOPPER FULL SET
26	160072	MIXER
27	180495	DOSER SAFTEY COVER
28	160071	UPPER STAR
29	160070	LOWER STAR
30	230023	DOSER SET SPRING
31	160065	PLASTIC SPACER
32A	170092	DOSER SUPPORT
32B	170235	LOWER SUPPORT TELE TAMPER WITH COUNTER
33	RMT800014	FIXED TAMPER 56mm
34	210033	COUNTER
35	160074	DOSER COVER
36	110030	DOSER PIVOT
37	160068	RIGHT HAND CAMM

<b>38</b>	RMUNI0007	DOSER LEVER SET
<b>39A</b>	130059	PROGRESS PIVOT
<b>39B</b>	230029	PROGRESS PIVOT SPRING
<b>40A</b>	130060	STOPPER PIVOT
<b>40B</b>	230028	STOPPER PIVOT SPRING
<b>41</b>	230027	LEVER SPRING
<b>42A</b>	RMT800010	DOSER SUPPORT WITH COUNTER
<b>42B</b>	RMT800017	DOSER TELE TAMPER SUPPORT WITH COUNTER
<b>43A</b>	RMT800003	M80 FULL SET DOSER WITH COUNTER
<b>43B</b>	RMT800019	M80 FULL SET DOSER TELE TAMPER WITH COUNTER
<b>43C</b>	RMT800025	M80 FULL SET DOSER MANUAL MODEL WITH COUNTER
<b>43D</b>	RMT800026	M80 FULL SET TELE TAMPER MANUAL MODEL WITH COUNTER
<b>44</b>	160008	SIGHT GLASS-NEW TYPE
<b>45A</b>	210035	CONTACTOR 380V
<b>45B</b>	210034	CONTACTOR 220V 3 Phase
<b>46</b>	160067	HOPPER CONE
<b>47</b>	160059	MIXER NUT
<b>48</b>	160075	DOSER LEVER
<b>49A</b>	170266	M80 BLACK GRAPHITE BODY
<b>49B</b>	170270	M80 POLISHED BODY
<b>50</b>	180486	TELESCOPIC FORK M80
<b>51</b>	170282	MOTOR BOTTOM COVER
<b>52</b>	180473	M80 SAFETY COVER

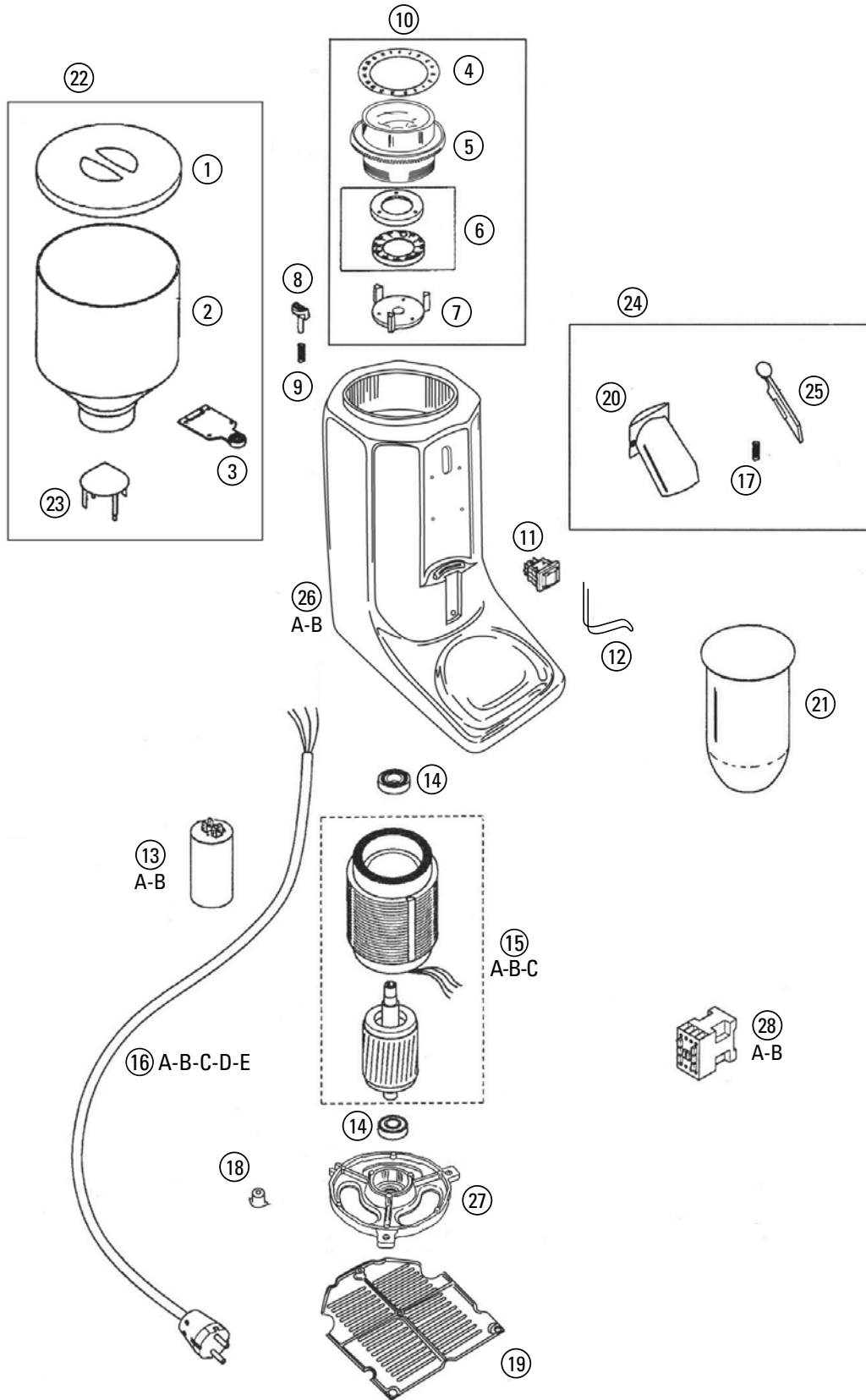
# M80 TOP



## M80 TOP

Drawing Ref	Code	Description
1	160149	HOPPER LID
2	160080	HOPPER M80
3	160063	HOPPER SHUTTER
4	240023	GRIND THICKNESS LABEL
5	170195	RING NUT
6	260001	BLADE SET 63 mm
7	170090	ROTATING BLADE HOLDE3R
8	RMT800021	FULL SET ROTATING BLADE HOLDER
9	160062	RING NUT STOPPER
10	230013	STOPPER SPRING
11	210018	ON OFF SWITCH WITH CAP
12	170044	COFFEE FILTER SUPPORT
13A	150064	CAPACITOR 12,5 MF 220V
13B	150069	CAPACITOR 25,0 MF 110V
14	260005	BEARING 6202
15A	270003	M80 230V MOTOR
15B	270006	MOTOR M80 380V
15C	270004	MOTOR M80 110V
16A	150073	230V CABLE EU PLUG
16B	150074	3 PHASE CABLE 220V / 380V No Plug
16C	150076	110 - 120 V CABLE US Plug
16D	150077	230V CABLE UK PLUG
16E	150078	230V CABLE AUSTRALIAN PLUG
17A	170174	DOSER UPPER RING
17B	170176	DOSER UPPER RING No Hole
18	160098	RUBBER FOOTING
19	160200	BOTTOM COVER
20	160064	DOSER LID
21A	RMT800002	MICRO SWITCH SET
21B	RMT800004	MICRO SWITCH SET ETL
22	230049	UPPER STAR SPRING
23	160083	SIGHT GLASS-OLD TYPE
24	RMT800015	HOPPER FULL SET
25	170435	MIXER
26	180495	DOSER SAFETY COVER
27	170440	UPPER STAR
28	170445	LOWER STAR
29	230047	DOSER SET SPRING
30	160250	PLASTIC SPACER
31A	170490	LOWER DOSER SUPPORT
31B	170245	LOWER DOSER SUPPORT TELE TAMPER
32	RMM10009	FIXED TAMPER 56 mm
33	210033	COUNTER
34	180435	BODY BASE M1 - M80 TOP
35	110030	DOSER PIVOT
36	170451	RIGHT HAND CAMM
37	RMUNI0007	DOSER LEVER SET
38A	130059	PROGRESS PIVOT
38B	230029	PROGRESS PIVOT SPRING
39A	130060	STOPPER PIVOT
39B	230028	STOPPER PIVOT SPRING
40	230027	LEVER SPRING
41A	RMM800002	DOSER SUPPORT WITH COUNTER
41B	RMM800027	DOSER TELE TAMPER SUPPORT WITH COUNTER
42A	RMM800003	FULL SET DOSER WITH COUNTER
42B	RMM800029	FULL SET DOSER WITH COUNTER + TELE TAMPER
42C	RMM800030	FULL SET DOSER WITH COUNTER MAN Model
42D	RMM800031	FULL SET DOSER WITH COUNTER + TELE TAMPER MAN Model
43	160008	SIGHT GLASS-NEW TYPE
44A	210035	CONTACTOR 380V
44B	210034	CONTACTOR 230V
45	160067	HOPPER CONE
46	170430	MIXER NUT
47	170460	DOSER LEVER
48A	170266	M80 BODY BLACK GRAPHITE
48B	170270	M80 BODY POLISHED
49	180486	COFFEE HOLDER SUPPORT + TELE TAMPER MOD
50	170282	MOTOR BOTTOM COVER
51	180473	SAFETY COVER
52	RMT800023	FULL SET TELE TAMPER

# M80/D



### M80/D

Drawing Ref	Code	Description
1	160149	HOPPER LID
2	160080	HOPPER M80
3	160063	HOPPER SHUTTER
4	240023	GRIND THICKNESS LABEL
5	170195	RING NUT
6	260001	BLADE SET 63 mm
7	170090	ROTATING BLADER HOLDER
8	160062	RING NUT STOPPER
9	230013	STOPPER SPRING
10	RMT800021	FULL SET ROTATING BLADE HOLDER
11	210018	ON OFF SWITCH WITH CAP
12	230040	CUP HOLDER SPRING
13A	150064	CAPACITOR 12.5 MF 230V
13B	150069	CAPACITOR 25 MF 110V
14	260005	BEARING 6202
15A	270004	M80 110V MOTOR
15B	270003	M80 230V MOTOR
15C	270006	M80 380V MOTOR
16A	150073	STANDARD CABLE 220V + PLUG
16B	150074	3 PHASE CABLE 220V / 380V No Plug
16C	150076	110V / 120V CABLE US Plug
16D	150077	230V CABLE UK PLUG
16E	150078	230V CABLE AUSTRALIAN PLUG
17	230043	COFFEE SPOUT SPRING
18	160098	RUBBER FOOTING
19	160200	BOTTOM COVER
20	180430	COFFEE SPOUT
21	180044	CUP
22	RMT800015	FULL SET HOPPER
23	160067	HOPPER CONE
24	RMT80D010	FULL SET COFFEE SPOUT
25	170097	SPOUT LEVER
26A	170266	M80 BODY BLACK GRAPHITE
26B	170270	M80 POLISHED BODY
27	170282	BOTTOM MOTOR COVER
28A	210035	CONTACTOR 380V
28B	210034	CONTACTOR 220V 3 PHASE