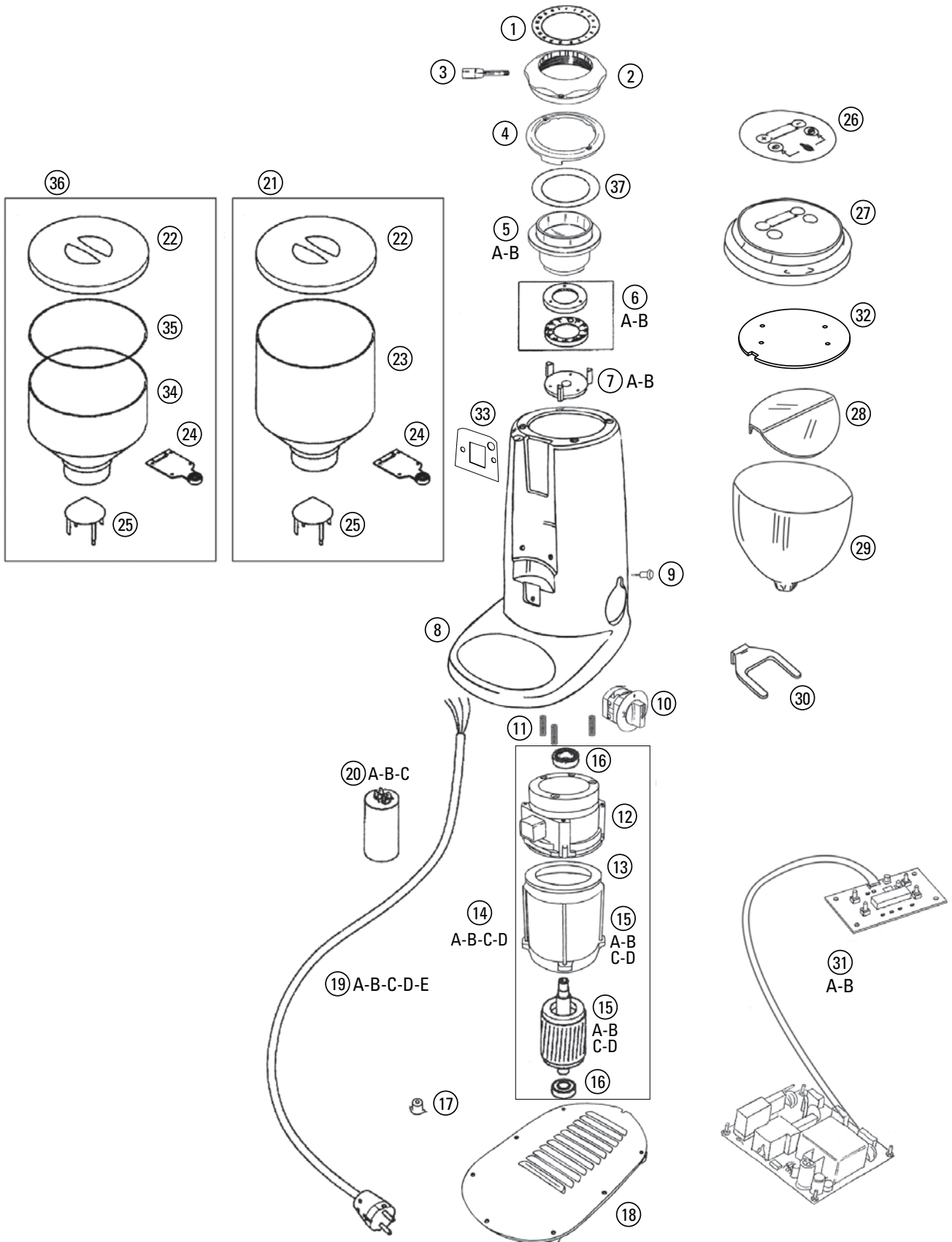


M1/E



M1/E

Drawing Ref	Code	Description
1	240018	GRIND THICKNESS LABEL
2	170403	RING NUT
3	RMT800024	MICROMETRIC ADJUST LEVER
4	170473	BODY TOP COVER
5A	170476	FIXED BLADE HOLDER
5B	170479	UPPER FIXED BLADE HOLDER 75mm
6A	260001	BLADE SET 63mm
6B	260002	BLADE SET 75mm
7A	170094	BLADE HOLDER
7B	170352	ROTATING BLADE HOLDER 75mm
8	170423	BLACK GRAPHITE M1 BODY
9	210032	LED LIGHT
10	210105	ON OFF SWITCH
11	230045	BLADE HOLDER SPRING
12	170481	GRIND CHAMBER
13	120001	MOTOR SEAL
14A	RMM10002	230V MOTOR M1 63 mm
14B	RMM10011	230V MOTOR M1 75 mm
14C	RMM10012	110V MOTOR M1 63 mm
14D	RMM10013	110V MOTOR M1 75 mm
15A	270020	M1 MOTOR 230V/50 1400 rpm 63 mm
15B	270023	M1 MOTOR 230V/50 1400 rpm 75 mm
15C	270022	M1 MOTOR 110V 63 mm
15D	270024	M1 MOTOR 110V 75 mm
16	260005	BEARING 6202
17	160096	RUBBER FOOTING
18	180500	COVER
19A	150073	STANDARD EU 230V CABLE + PLUG
19B	150074	220V / 380V 3 PHASE CABLE NO PLUG
19C	150076	110V CABLE US PLUG
19D	150077	230V CABLE UK PLUG
19E	150078	230V CABLE AUSTRALIAN PLUG
20A	150064	MOTOR CAPACITOR 230V 12.5 MF 63 mm
20B	150069	MOTOR CAPACITOR 25 MF 230V 75 mm / 110V 63 mm
20C	150093	MOTOR CAPACITOR 45 MF 110V 75 mm
21	RMM10001	FULL SET HOPPER
22	160081	HOPPER LID
23	160076	HOPPER
24	160063	HOPPER SHUTTER
25	160067	HOPPER CONE
26	240020	ON DEMAND DISPLAY LABEL
27	180464	SS CONE LID
28	180490	SS SAFETY COVER
29	180453	SS CONE
30	180445	COFFEE FILTER HOLDER M1 ON DEMAND MODEL
31A	130140	FULL DISPLAY SET 230V
31B	130145	FULL DISPLAY SET 110V
32	160205	SS CONE COVER SEAL
33	120037	SEAL
34	160084	MINI HOPPER
35	160029	MINI HOPPER SEAL
36	RMM800004	FULL SET MINI HOPPER
37	120035	M1 RING NUT SPACER