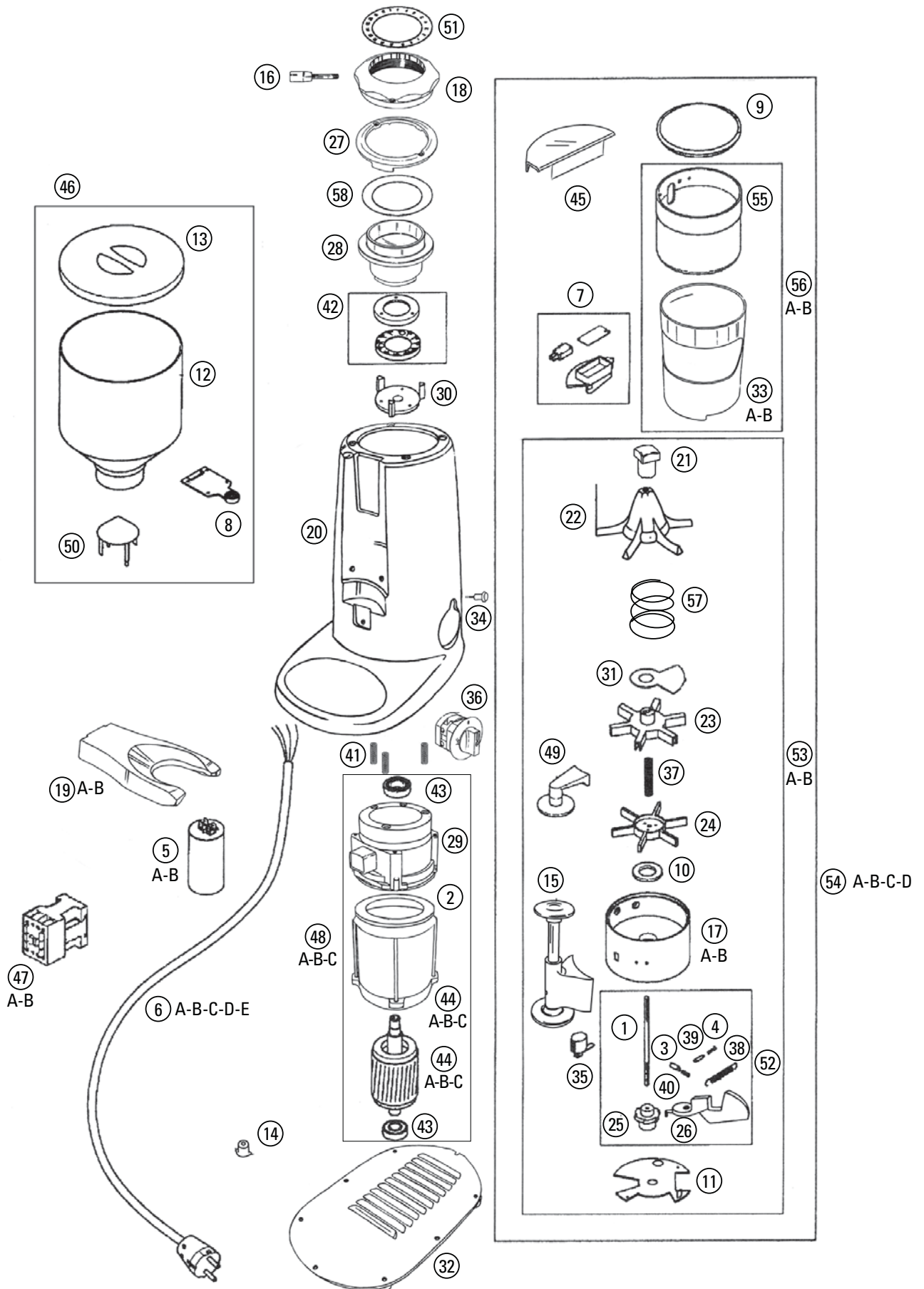


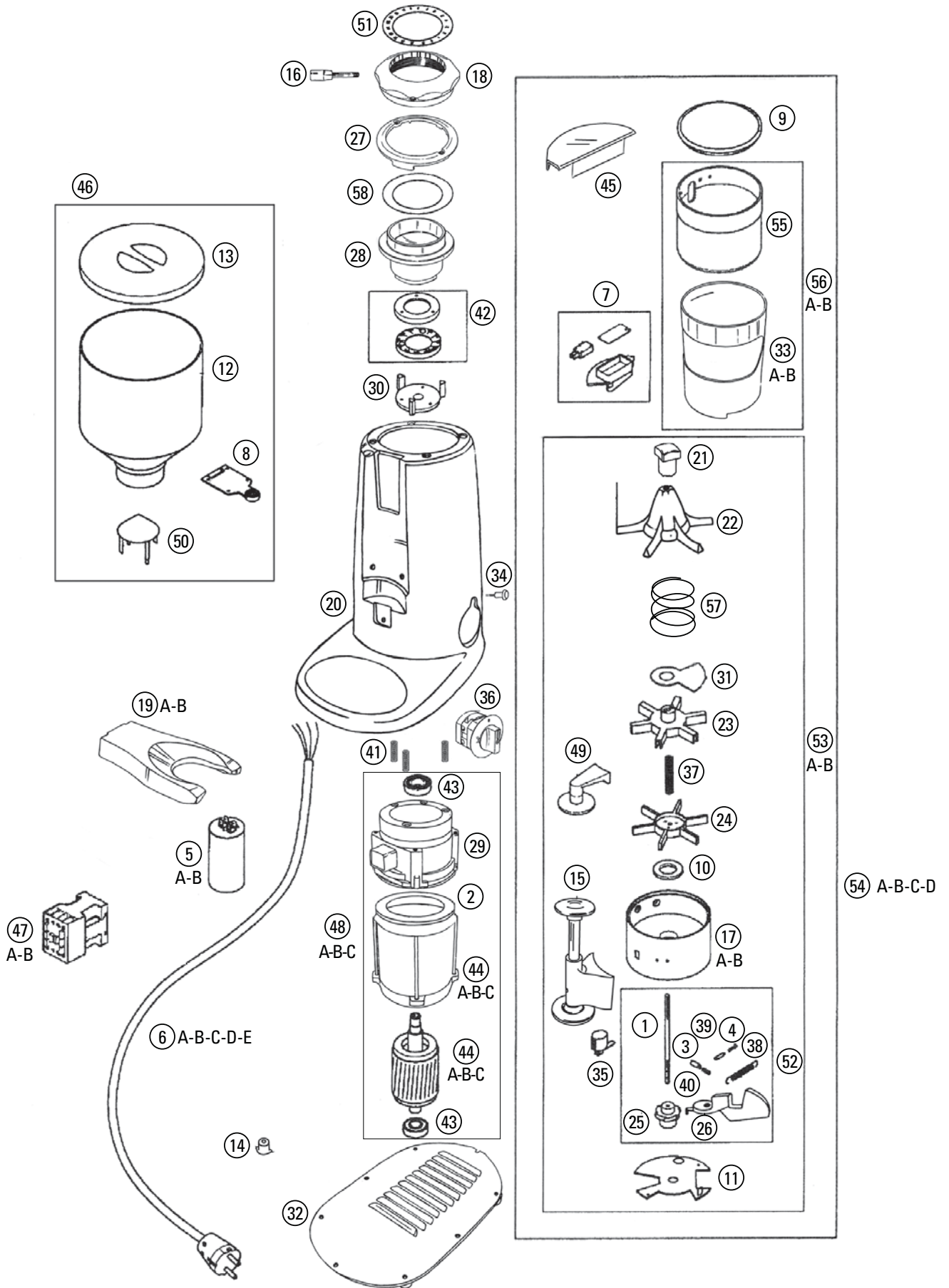
M1 Ø63 mm.



M1 Ø 63 mm.

Drawing Ref	Code	Description
1	110030	DOSER PIVOT
2	120001	MOTOR SEAL
3	130059	PROGRESS PIVOT
4	130060	STOPPER PIVOT
5A	150064	CAPACITOR 12.5 MF 230V
5B	150069	CAPACITOR 25 MF 110V
6A	150073	STANDARD EU CABLE 230V
6B	150074	3 PHASE CABLE 220V / 380V NO PLUG
6C	150076	110V CABLE US PLUG
6D	150077	230V CABLE UK PLUG
6E	150078	230V CABLE AUSTRALIAN PLUG
7	RMT800002	MICRO SWITCH SET
8	160063	HOPPER SHUTTER
9	160064	HOPPER LID
10	160250	PLASTIC SPACER
11	180435	BODY BASE M1 - M80 TOP
12	160076	HOPPER
13	160081	HOPPER LID
14	160096	RUBBER FOOTING
15	RMT800023	TELE TAMPER SET
16	RMT800024	STEPLESS SETTING LEVER
17A	170490	DOSER SUPPORT
17B	170498	DOSER SUPPORT + TELE TAMPER
18	170403	RING NUT
19A	170412	COFFEE FILTER SUPPORT
19B	170416	COFFEE FILTER SUPPORT - TELE TAMPER MODEL
20	170423	BLACK GRAPHITE M1 BODY
21	170430	MIXER NUT
22	170435	MIXER
23	170440	UPPER STAR
24	170445	LOWER STAR
25	170451	DOSER CAMM
26	170460	DOSER LEVER
27	170473	BODY TOP COVER
28	170476	FIXED BLADE HOLDER
29	170481	GRIND CHAMBER
30	170094	BLADE HOLDER
31	180495	DOSE COVER
32	180500	COVER
33A	180505	DOSER OUTER RING
33B	180508	DOSER OUTER RING + TELE TAMPER
34	210032	LED LIGHT
35	210033	COUNTER
36	210105	ON OFF SWICTH
37	230047	DOSER SET SPRING
38	230027	LEVER SPRING
39	230028	DOSER PIVOT SPRING
40	230029	DOSER SPRING
41	230045	BLADE HOLDER SPRING
42	260001	BLADE SET 63 mm
43	260005	BEARING 6202
44A	270020	230V MOTOR 420W
44B	270021	380V MOTOR 300W
44C	270022	110V MOTOR
45	180473	SAFETY COVER
46	RMM10001	FULL SET HOPPER
47A	210034	CONTACTOR 230V
47B	210035	CONTACTOR 380V
48A	RMM10002	230V MOTOR 420W
48B	RMM10012	110V MOTOR
48C	RMM10014	380V MOTOR
49	RMM10009	FIXED TAMPER 56 mm
50	160067	HOPPER CONE
51	240018	GRIND THICKNESS LABEL
52	RMUNI0001	FULL SET DOSER LEVER
53A	RMM100003	FULL SET DOSER SUPPORT
53B	RMM100004	FULL SET DOSER SUPPORT WITH COUNTER + TELE TAMPER
54A	RMM100005	FULL SET DOSER WITH COUNTER AUTO MOD
54B	RMM100006	FULL SET DOSER WITH COUNTER MAN MOD
54C	RMM100007	FULL SET DOSER WITH COUNTER+ TELE TAMPER - AUTO MOD
54D	RMM100008	FULL SET DOSER WITH COUNTER+TELE TAMPER - MAN MOD
55	160083	SIGHT GLASS
56A	RMM100010	DOSER OUTER RING
56B	RMM100019	DOSER OUTER RING + TELE TAMPER
57	230049	DOSE LOCKER SPRING
58	120035	M1 RING NUT SPACER

M1 Ø75 mm.



M1 Ø 75 mm.

Drawing Ref	Code	Description
1	110030	DOSER PIVOT
2	120001	MOTOR SEAL
3	130059	PROGRESS PIVOT
4	130060	STOPPER PIVOT
5A	150069	MOTOR CAPACITOR 25MF 230V
5B	150093	MOTOR CAPACITOR 45 MF 110V
6A	150073	STANDARD EU CABLE 230V
6B	150074	3 PHASE CABLE 220V / 380 NO PLUG
6C	150076	110V CABLE US PLUG
6D	150077	230V CABLE UK PLUG
6E	150078	230V CABLE AUSTRALIAN PLUG
7	RMT800002	MICRO SWITCH SET
8	160063	HOPPER SHUTTER
9	160064	HOPPER LID
10	160250	PLASTIC SPACER
11	180435	BODY BASE M1 - M80 TOP
12	160076	HOPPER
13	160081	HOPPER LID
14	160096	RUBBER FOOTING
15	RMT800023	TELE TAMPER SET
16	RMT800024	STEPLESS ADJUSTING LEVER
17A	170490	DOSER SUPPORT
17B	170498	DOSER SUPPORT + TELE TAMPER
18	170403	RING NUT
19A	170412	COFFEE FILTER SUPPORT
19B	170416	COFFEE FILTER SUPPORT - TELE TAMPER MOD
20	170423	BLACK GRAPHITE M1 BODY
21	170430	MIXER NUT
22	170435	MIXER NUT
23	170440	UPPER STAR
24	170445	LOWER STAR
25	170451	DOSER CAMM
26	170460	DOSER LEVER
27	170473	BODY TOP COVER
28	170479	FIXED BLADE HOLDER
29	170482	GRINDING SET
30	170352	ROTATING BLADE HOLDER
31	180495	DOSE COVER
32	180500	COVER
33A	180505	DOSER OUTER RING
33B	180508	DOSER OUTER RING + TELE TAMPER
34	210032	LED LIGHT
35	210033	COUNTER
36	210105	ON OFF SWITCH
37	230047	DOSER SET SPRING
38	230027	LEVER SPRING
39	230028	DOSER PIVOT SPRING
40	230029	DOSER SPRING
41	230045	BLADE HOLDER SPRING
42	260002	BLADE SET 75 mm
43	260005	BEARING 6202
44A	270020	230V / 50 HZ MOTOR 420W
44B	270021	M1 380V MOTOR
44C	270022	M1 110V MOTOR
45	180473	SAFETY COVER
46	RMM10001	FULL SET HOPPER
47A	210034	CONTACTOR 220V 3 PHASE
47B	210035	CONTACTOR 380V
48A	RMM10011	M1 230V MOTOR
48B	RMM10013	M1 110V MOTOR
48C	RMM10015	M1 380V MOTOR
49	RMM10009	FIXED TAMPER 56 mm
50	160067	HOPPER CONE
51	240018	GRIND THICKNESS LABEL
52	RMUNI0001	FULL SET DOSE LEVER
53A	RMM100003	FULL SET DOSE SUPPORT WITH COUNTER
53B	RMM100004	FULL SET DOSE SUPPORT WITH COUNTER+ TELE TAMPER
54A	RMM100005	FULL SET DOSE WITH COUNTER - AUTO MOD
54B	RMM100006	FULL SET DOSE WITH COUNTER- MAN MOD
54C	RMM100007	FULL SET DOSE WITH COUNTER + TELE TAMPER -AUTO MOD
54D	RMM100008	FULL SET DOSE WITH COUNTER+ TELE TAMPER - MAN MOD
55	160083	SIGHT GLASS
56A	RMM100010	DOSE OUTER RING
56B	RMM100019	DOSE OUTER RING + TELE TAMPER
57	230049	DOSE LOCKER SPRING
58	120035	M1 RING NUT SPACER