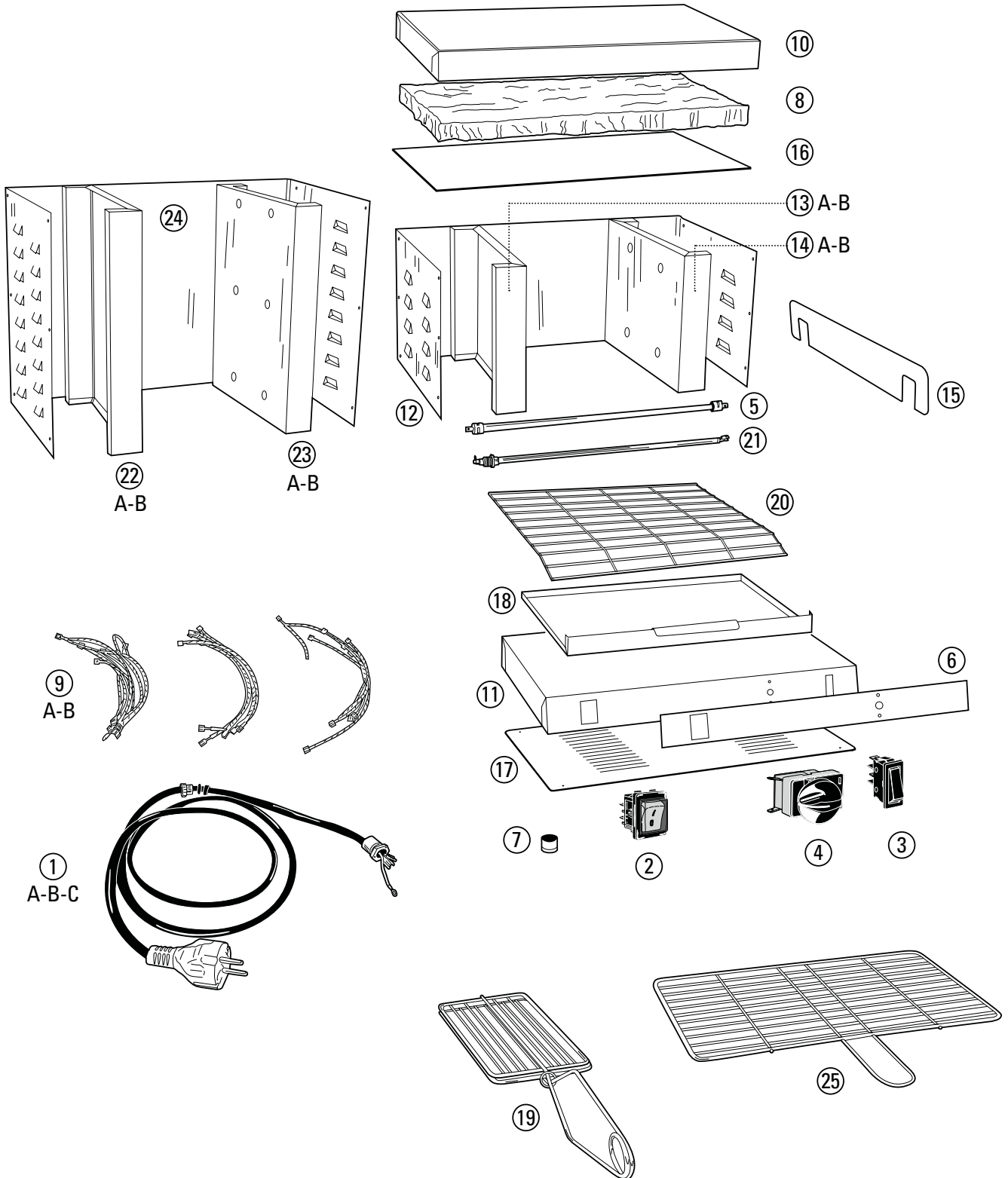


F01 - F02



F01 - F02

Drawing Ref	Code	Description
1A	150075	230V CABLE EU PLUG
1B	150080	230V CABLE AUSTRALIAN PLUG
1C	150084	230V CABLE UK PLUG
2	210018	ON OFF SWITCH WITH CAP
3	210005	HEAT ELEMENT SWITCH
4	210002	TIMER
5	190001	QUARTZ HEAT ELEMENT
6	240035	FRONT STICKER
7	160096	RUBBER FOOTING
8	120032	INSULATION FOIL
9A	150060	F 01 - CABLE SET
9B	150061	F 02 - CABLE SET
10	180600	TOP COVER
11	180605	BOTTOM BASE
12	180610	F 01 / F 02 BODY
13A	180615	LEFT SIDE COVER FOR GLASS HEATING COIL
13B	180616	LEFT SIDE COVER FOR STEEL HEATING COIL
14A	180617	RIGHT SIDE COVER FOR GLASS HEATING COIL
14B	180618	RIGHT SIDE COVER FOR STEEL HEATING COIL
15	180620	HEAT ELEMENT HOLDER
16	180625	F01 / F 02 TOP END COVER
17	180630	F 01 / F 02 BOTTOM COVER
18	180635	CRUMB TRAY
19	180640	SANDWICH PLIES
20	180645	SAFETY GRILL - COVER
21	190015	SS HEAT ELEMENT 115V 450W
22A	180655	F 02 LEFT SIDE COVER FOR GLASS HEATING COIL
22B	180656	F 02 LEFT SIDE COVER FOR STEEL HEATING COIL
23A	180657	F 02 RIGHT SIDE COVER FOR GLASS HEATING COIL
23B	180658	F 02 RIGHT SIDE COVER FOR STEEL HEATING COIL
24	180650	BODY
25	180675	PIZZA GRILL